

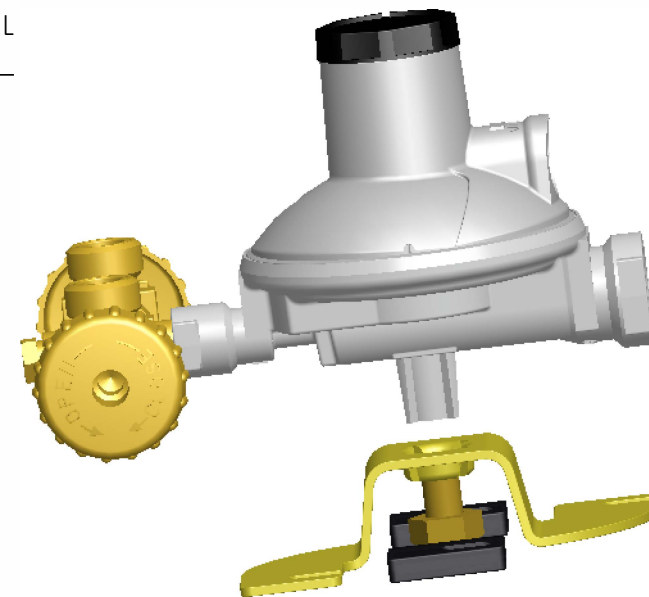
— LABEL FOR SINGLE BOX

SINGLE STAGE REGULATOR
Gearbox
TYPE 738 - PROPANE
30-50 mbar - 10 kg/h
DOUBLE INLET: W20x1/14" L.H. (G.1)
OUTLET: G 1/2 female (H.7)

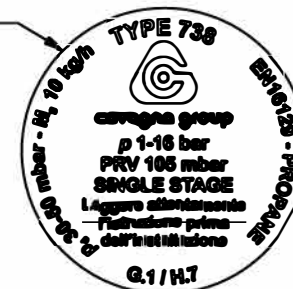
— EXPEDITION BOX LABEL

Cavagna Group Spa

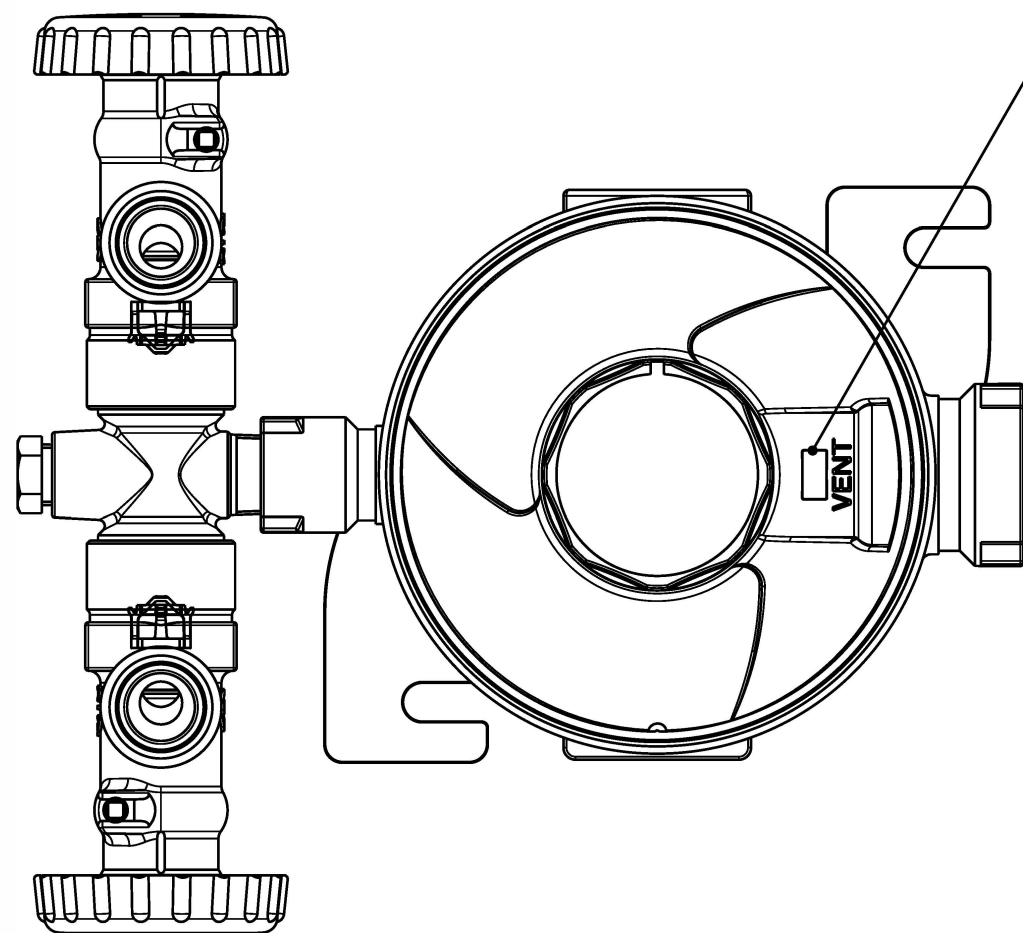
Type of regulator : 738
Cavagna Part Number : 73-1-890-0112
Description: SINGLE STAGE REGULATOR GEARBOX
PROPANE 30-50 mbar 10 kg/h
Pos per carton:
Date:



INK STAMP (WHITE)



MANUFACTURING DATE
MONTH (+4) - YEAR



NO	NO PRODUCT	DENOMINATION	Q.TY
1	00-1-122-0067	MACHINED BODY TYPE 73 K6 (G 1/4 F - G 1/2 F)	1
2	05-4-110-0020	PIN-LEVER	1
3	02-4-950-0005	S/I LEVETTA MOD.73 USA	1
4	09-1-950-0074	S/I MEMBRANA VDS MOD.73 EUROPA	1
5	07-1-110-0220	MOLLA TARATURA 2° STADIO MOD.738 30±50 mbar	1
6	01-1-950-0085	S/A COVER FOR REGULATOR TYPE 738 WITH SCREEN	1
7	08-4-110-0032	SPRING ADJUSTER	1
8	24-1-110-0001	WHITE ALUMINIUM RAL 9006	1
9	19-4-950-0022	S/I TAPPO MOD.73 USA	1
10	18-1-310-0905	INK STAMP FOR TYPE 738	1
11	68-0-190-0201	S/A MANIFOLD TWO WAY	1
12	17-1-950-0003	S/A FIXING ELEMENTS FOR TYPE 73	1
13	34-1-110-1275	INSTRUCTION FOR TYPE 738 + GEARBOX (IT-GR)	1
14	23-1-210-0216	STANDARD BOX	1
15	34-1-210-3003	SINGLE BOX LABEL	1
16	23-1-510-0004	STANDARD BOX (R9)	1
17	34-1-210-3004	EXPEDITION BOX LABEL	1

	DENOMINATION		SINGLE STAGE REGULATOR TYPE 738 + GEARBOX				PROPANE 30±50 mbar 10 Kg/h	
	WITH SAFETY							
RECA	MODEL 738	ORIFICE 3.4	INLET W20X1/14" L.H.		OUTLET G 1/2 FEMALE	SHARED N.A.	PROD. INT. GROUP -	
PERFORMANCE DOC. 73-062	COUNTRY N.A.	COUNTRY SPECIFIC N.A.	WEIGHT 0.575	SCALE 4:5	MODIFY FILE N.A.	PRODUCT NO 73-1-890-0112		
PROD. EVOLUTION DEFINITIVE	PROJECT NO DS05444	RELEASE LEVEL APPROVED	DRAWN BY PEDRINI M.	VERIFIED BY TOMASELLI L.	APPROVED BY SCHLICK B.	DATE 19/02/16	REV 1	