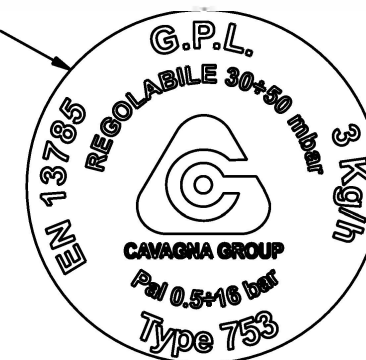
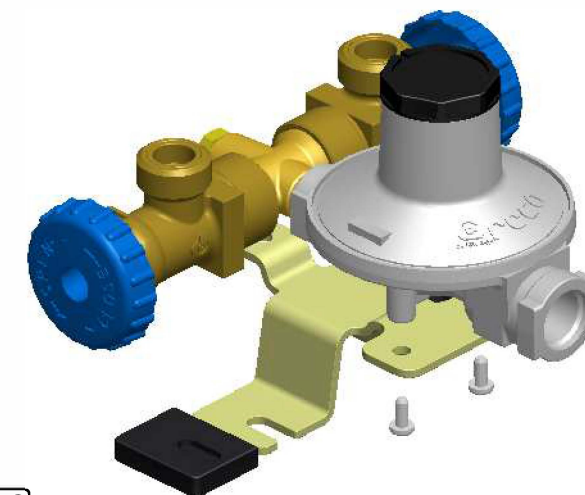


INK STAMP



LABEL FOR EXPEDITION BOX

NS Code:	75-1-390-0008
VS Code:	-
Description:	REGOLATORE SINGOLO STADIO CON CENTRALINA L.P.G. 30 mbar 3 Kg/h
	INLET : W20x1/14" L.H. OUTLET : G 3/8 FEMALE L.H.
Pos per carton:	9
Date:	11



S/A BRACKET NOT ASSEMBLED

NO	NO PRODUCT	DENOMINATION	Q.TY
1	00-1-022-1595	SCATOLA MOD. 75 LAVORATA	1
2	05-1-110-0001	STANDARD LEVER PIN	1
3	02-1-950-0016	S/I LEVETTA ZAMA - PASTICCA VITON	1
4	09-1-950-0027	S/A DIAPHRAGM STANDARD	1
5	01-1-150-0084	COPERCHIO SEMIREGOLABILE	1
6	07-1-110-0140	MOLLA DI TARATURA 40 mbar	1
7	08-1-110-0032	PREMIMOLLA	1
8	24-1-110-0001	WHITE ALUMINIUM RAL 9006	1
9	19-1-110-2052	TAPPO MOD.75 STANDARD	1
10	18-1-310-0252	TIMBRATURA TAPPO (INK STAMP)	1
11	68-0-190-0201	S/A MANIFOLD TWO WAY	1
12	17-1-950-0004	S/A BRACKET WALL FIXING	1
13	34-1-110-0822	INSTRUCTION FOR MANIFOLD	1
14	23-1-210-0216	STANDARD BOX	1
15	23-1-510-0004	STANDARD BOX (R9)	1
16	34-1-210-2076	LABEL FOR EXPEDITION BOX	1

	DENOMINATION		SINGLE STAGE REGULATOR WITH GEARBOX		LPG	30 mbar	3 kg/h
	RECA		753		2.3	W20X1/14" L.H.	G 3/8 FEMALE
PERFORMANCE DOC.	COUNTRY	COUNTRY SPECIFIC	WEIGHT	SCALE	MODIFY FILE	PRODUCT NO	
798	ITALY	EN 13785	N.A.	4:5	DM05166	75-1-390-0008	
PROD. EVOLUTION	PROJECT NO	RELEASE LEVEL	DRAWN BY	VERIFIED BY	APPROVED BY	DATE	REV
DEFINITIVE	A103	APPROVED+	RUSSO R.	TOMASELLI L.	SCHLICK B.	17/12/14	2