

34-1-210-2914

738 + Gearbox
SECOND STAGE REGULATOR
LPG
29 mbar 3 kg/h
DOUBLE INLET: W20x1/14" L.H. (G.1)
OUTLET: G 3/8 FEMALE (H.7)

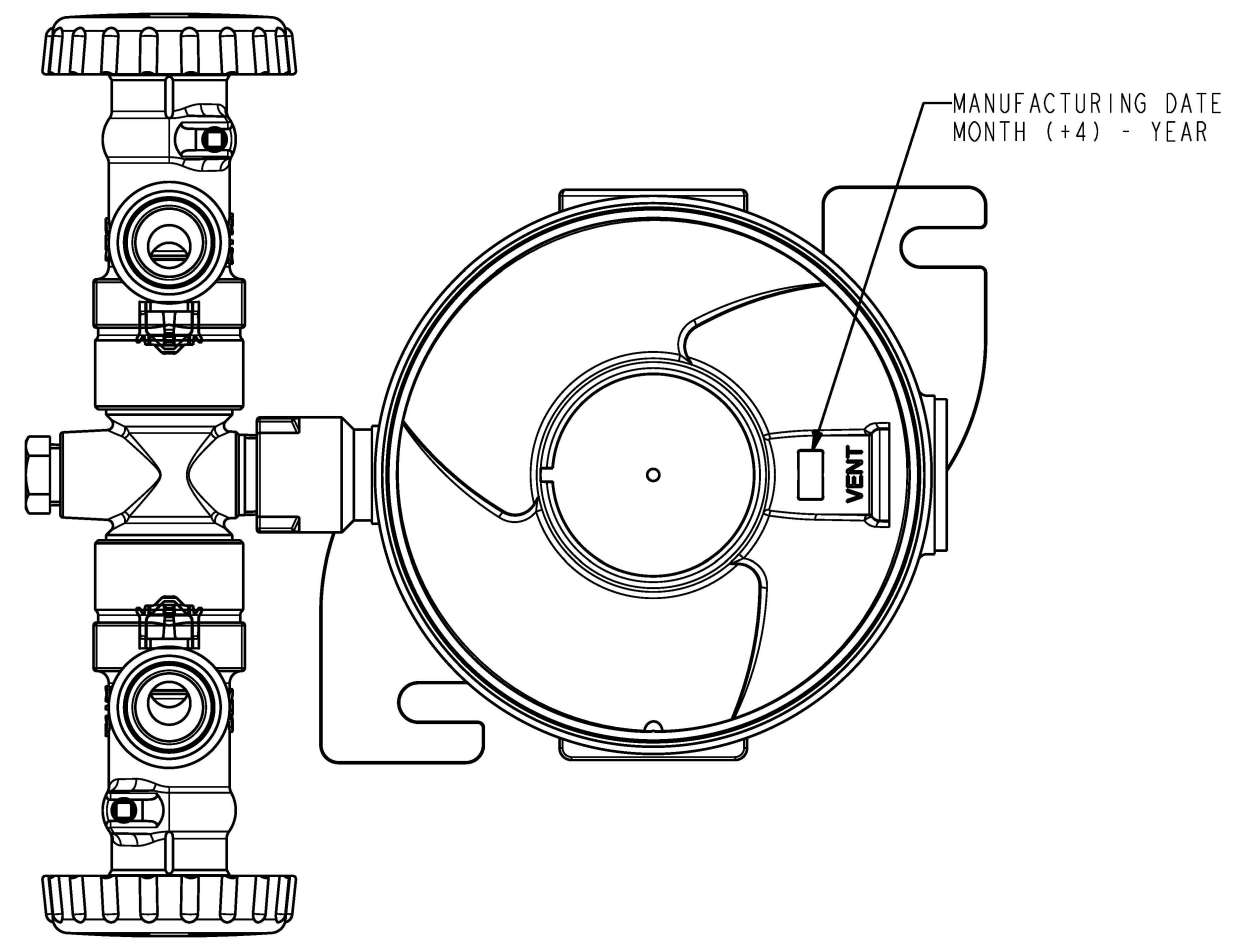
34-1-210-2914

RECA

NS Code: **73-1-890-0097**
VS Code: **-**
Description: **REGOLATORE SINGOLO STADIO CON CENTRALINA L.P.G. 29 mbar 3 Kg/h**
INLET : W20x1/14" L.H.
OUTLET : G 3/8 FEMALE L.H.

Pcs per carton: **9**
Date: **1/1**

S/A BRACKET NOT ASSEMBLED



NO	NO PRODUCT	DENOMINATION	Q.TY
1	00-1-150-0404	MACHINED BODY TYPE 73 (Rc1/4 - G3/8)	1
2	05-4-110-0020	PIN-LEVER	1
3	02-4-950-0005	S/I LEVETTA MOD.73 USA	1
4	09-4-950-0005	S/I MEMBRANA MOD.73 USA	1
5	07-1-110-0290	MOLLA TARATURA 28 mbar	1
6	01-1-121-0072	COPERCHIO MOD.73 EUR	1
7	24-1-110-0001	WHITE ALUMINIUM RAL 9006	1
8	16-1-110-1006	FILTER-STANDARD Ø8.5 x 1.5TK	1
9	18-1-310-0804	INK STAMP FOR TYPE 738	1
10	68-0-190-0201	S/A MANIFOLD TWO WAY	1
11	17-1-950-0003	S/A FIXING ELEMENTS FOR TYPE 73	1
12	34-1-110-1232	INSTRUCTION FOR TYPE 738 + GEARBOX (IT-GR)	1
13	23-1-210-0216	STANDARD BOX	1
14	34-1-210-2914	SINGLE BOX LABEL FOR TYPE 738	1
15	23-1-510-0004	STANDARD BOX (R9)	1
16	34-1-210-2055	LABEL FOR EXPEDITION BOX	1

	DENOMINATION SINGLE STAGE REGULATOR WITH GEARBOX - UNI 7131/2014 LPG 29 mbar 3 kg/h WITH SAFETY						
	RECA	MODEL 738	ORIFICE 2.5	INLET W20X1/14" L.H.	OUTLET G 3/8 FEMALE	SHARED N.A.	PROD. INT GROUP -
PERFORMANCE DOC. 73-055	COUNTRY ITALY	COUNTRY SPECIFIC EN16129	WEIGHT N.A.	SCALE 4:5	MODIFY FILE DM05388	PRODUCT NO 73-1-890-0097	REV 4
PROD. EVOLUTION DEFINITIVE	PROJECT NO N.A.	RELEASE LEVEL APPROVED+	DRAWN BY SCARPELLA A.	VERIFIED BY TOMASELLI L.	APPROVED BY SCHLICKE B.	DATE 10/12/15	