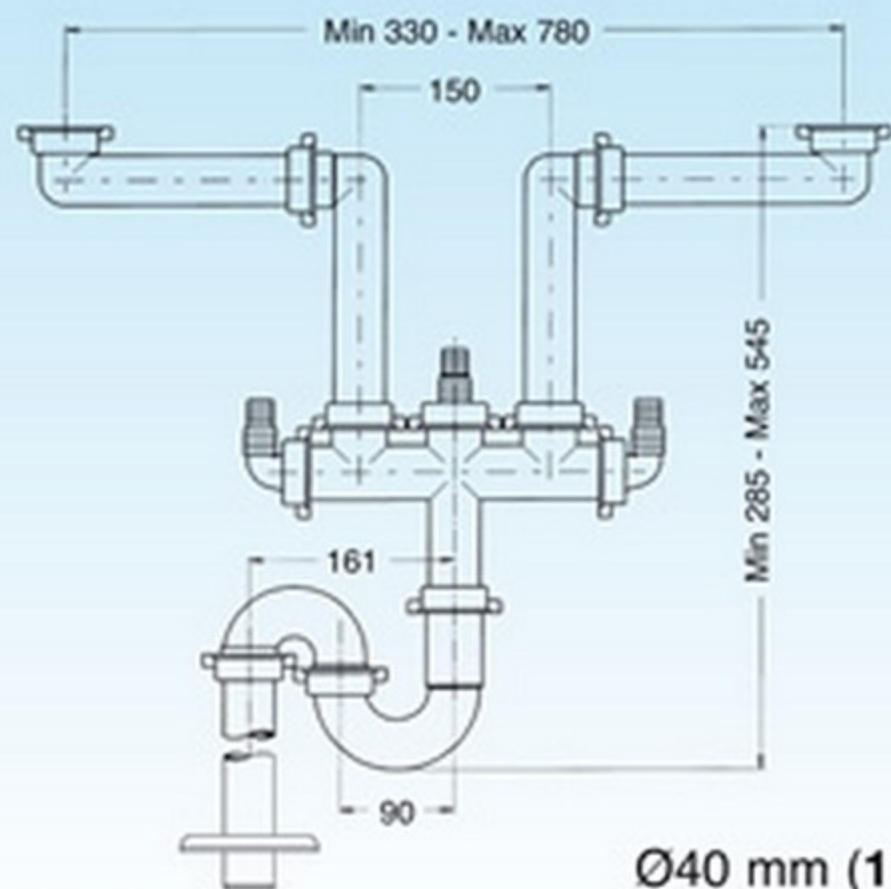


| A |

| A |



A=1 1/2" G

Ø40 mm (1 1/2")
Ø50 mm (2")