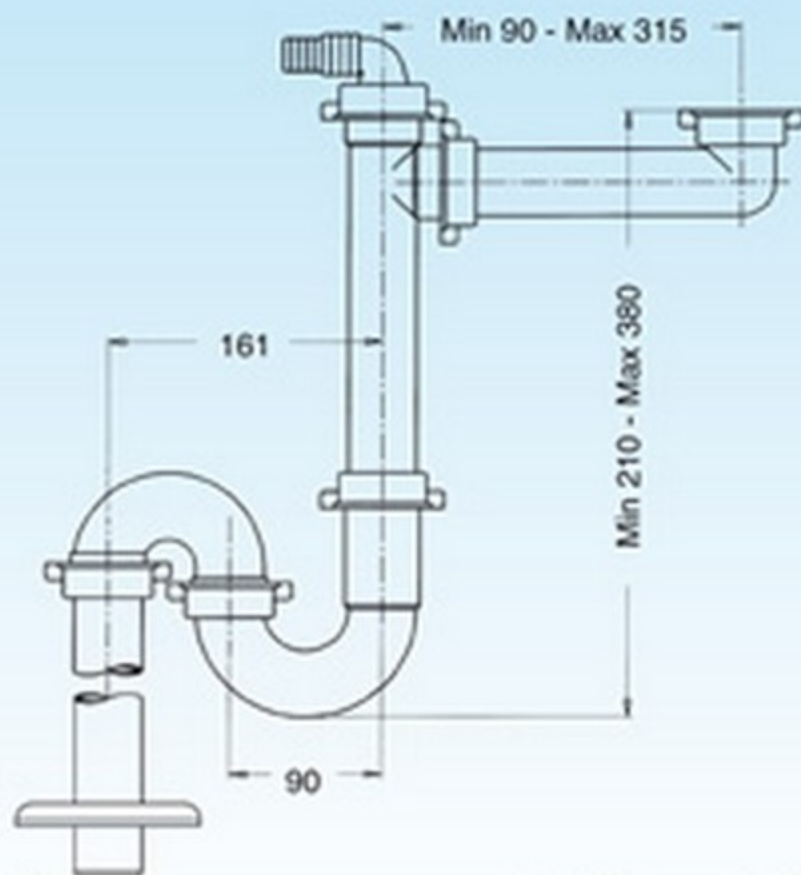


| A |



A=1½" G

Ø40 mm (1½")