

ROBEND 4000 E

ROBEND 4000 E
Charger / Battery



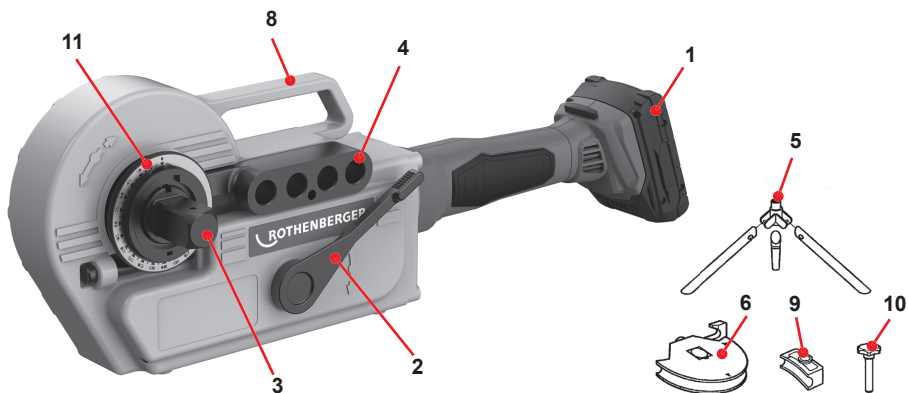
DE Bedienungsanleitung
EN Instructions for use
FR Instruction d'utilisation
ES Instrucciones de uso
IT Istruzioni d'uso
NL Gebruiksaanwijzing
PT Instruções de serviço
DA Brugsanvisning
SV Bruksanvisning

FI Käyttöohje
PL Instrukcja obsługi
RO Manualul de utilizare
ET Kasutusjuhend läbi
LT Naudojimo instrukcija
LV Lietošanas pamācība
EL Οδηγίες χρήσεως
RU Инструкция по использованию
JA マニュアル



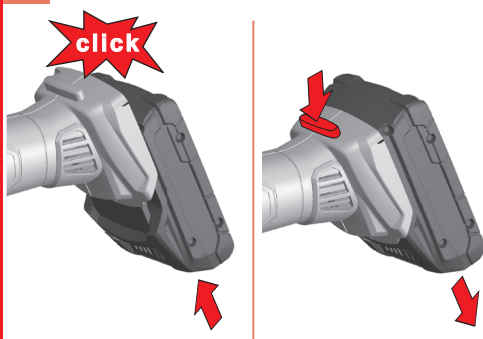
A Overview

No. 1200003249 ROBEND 4000 E basic, without battery

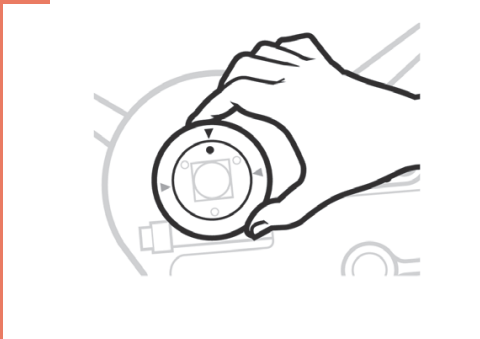


B Changing Battery / Start up

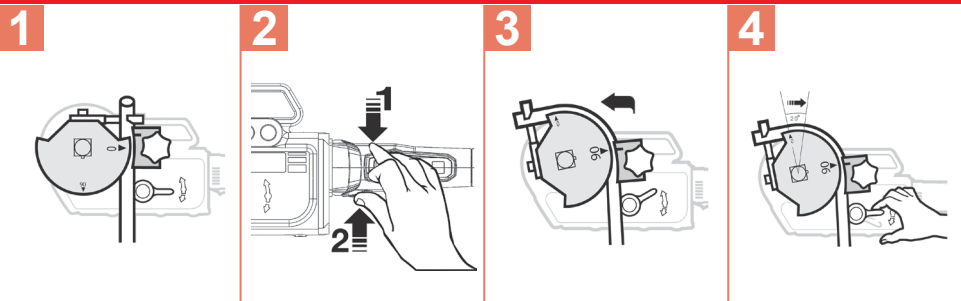
1 Changing Battery

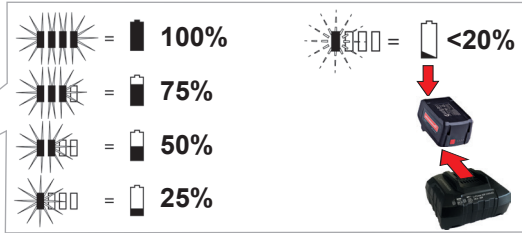
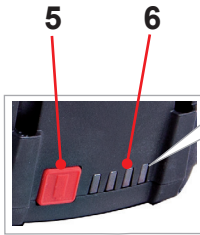


2 Start up

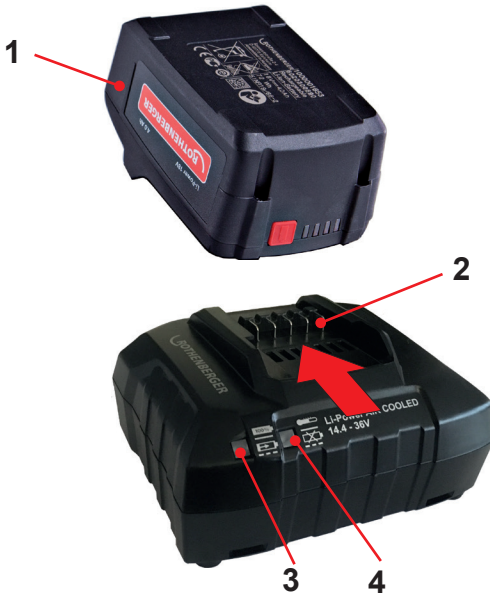


C Operating





Battery	art. no.	U	C	W	Ic	t
RO BP18/2	1000001652	18 V	2,0 Ah	400 g	3 A	40 min
RO BP18/4	1000001653	18 V	4,0 Ah	670 g	3 A	80 min
RO BP18/4 Li-HD	1000002548	18 V	4,0 Ah	584 g	3 A	80 min
RO BP18/8 Li-HD	1000002549	18 V	8,0 Ah	977 g	3 A	160 min



Charger	art. no.	U1	f1	P1	U2	I2	Nc	W
RO BC14/36 EU	1000001654	220 - 240V	50 - 60Hz	85W	14 - 42V	3,0 A DC	4 - 10	600g
RO BC14/36 AUS	1000001655	220 - 240V	50 - 60Hz	85W	14 - 42V	3,0 A DC	4 - 10	600g
RO BC14/36 USA CND	1000001656	115V	50 - 60Hz	85W	14 - 42V	3,0 A DC	4 - 10	600g
RO BC14/36 UK	1000001691	220 - 240V	50 - 60Hz	85W	14 - 42V	3,0 A DC	4 - 10	600g
RO BC14/36 JP	1000003033	100V	50 - 60Hz	85W	14 - 42V	3,0 A DC	4 - 10	600g

fig. charger and battery similar