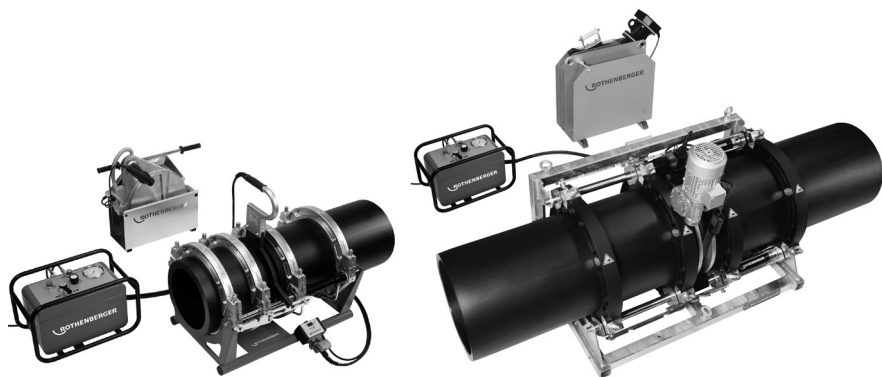


ROWELD P160-630B Plus
Professional

ROWELD P160-630B Plus Professional



DE Bedienungsanleitung
EN Instructions for use
FR Instruction d'utilisation
ES Instrucciones de uso
IT Istruzioni d'uso
NL Gebruiksaanwijzing
PT Instruções de serviço

DA Brugsanvisning
SV Bruksanvisning
PL Instrukcja obsługi
CS Návod k používání
HU Kezelési útmutató
RU Инструкция по использованию



Overview

Grundmaschine / Basic machine



P160B 1200001027	P250B 1200001029	P355B 1200000322
----------------------------	----------------------------	----------------------------



P200B 55392



P500B 53401	P630B 53305	P630B Plus 1200000714
-----------------------	-----------------------	---------------------------------

Fräseinrichtung / Trimmer unit



P160B 230V: 1200001043 115V: 1200001091	P200B 55395	P250B 1200000802	P355B 1200001045
--	-----------------------	----------------------------	----------------------------



P500B 53405	P630B, P630B Plus 53310
-----------------------	-----------------------------------

Heizelement / heating element



P160B 230V: 055346H 115V: 055279H	P200B 055396H	P250B 055180H	P355B 1200000324
--	-------------------------	-------------------------	----------------------------



P500B 53406	P630B, P630B Plus 53311
-----------------------	-----------------------------------

Einstellkasten / carrying frame



P160B 55298	P200B 55289	P250B 55167	P355B 1200000327
-----------------------	-----------------------	-----------------------	----------------------------



P500B 53407	P630B, P630B Plus 53312
-----------------------	-----------------------------------

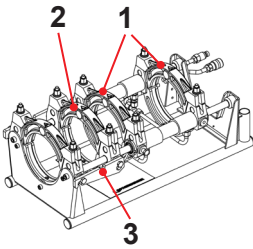
Hydraulikaggregat Professional / hydraulic unit professional



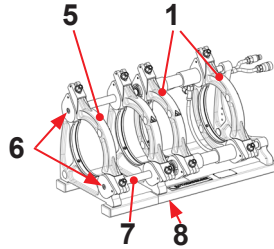
P160B, P200B, P250B, P355B 55115 (230V-50Hz), 55116 (115V P160B) 1200000905 (230V-60Hz), 1200001535 (230V-60Hz USA)	P500B, P630B, P630B Plus 53309 (230V-50Hz) 1200000906 (230V-60Hz)
--	--

Basic Unit A

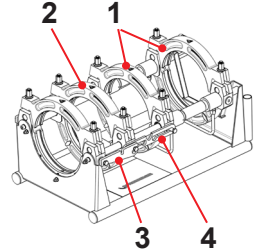
ROWELD P 160 B



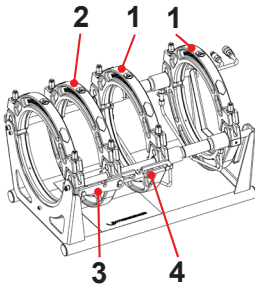
ROWELD P 200 B



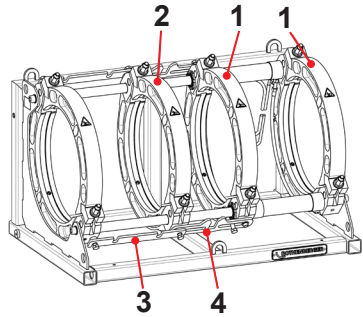
ROWELD P 250 B



ROWELD P 355 B



ROWELD P 500-630 B Plus



Hydraulik Unit B

